

If you need any technical assistance or to report a fault, please contact our customer service centre at:

SHARP-ROXY SALES&SEVICE COMPANY(M) SDN. BHD. (8394-W)

No.1A, PERSIARAN KUALA LANGAT, SECTION 27, 40400 SHAH ALAM, SELANGOR,MALAYSIA.

Website: www.sharp.com.my

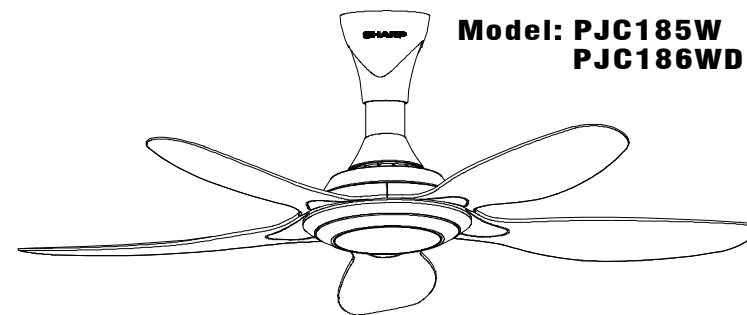
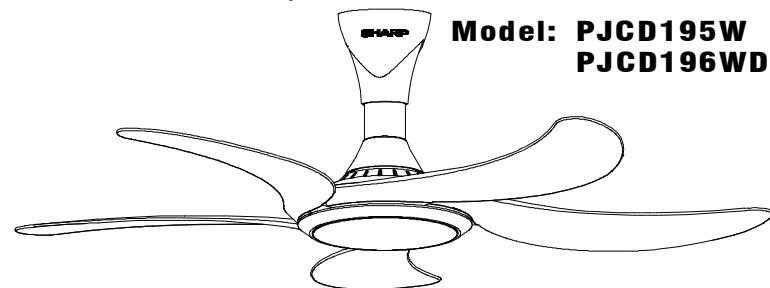
WARNING

Ceiling fan are not recommended to be install directly above heating area, such as stove, oven, hot plate and others. This will shorten the lifespan due to direct heat and oil cause by cooking.


Specifications, T40

MODEL	POWER	VOLTAGE	SIZE OF FAN
PJCD195W	38 watts	240V~50Hz	1400mm
PJCD196WD	38 watts	240V~50Hz	1400mm
PJC185W	78 watts	240V~50Hz	1400mm
PJC186WD	78 watts	240V~50Hz	1400mm


SHARP.




CEILING FAN

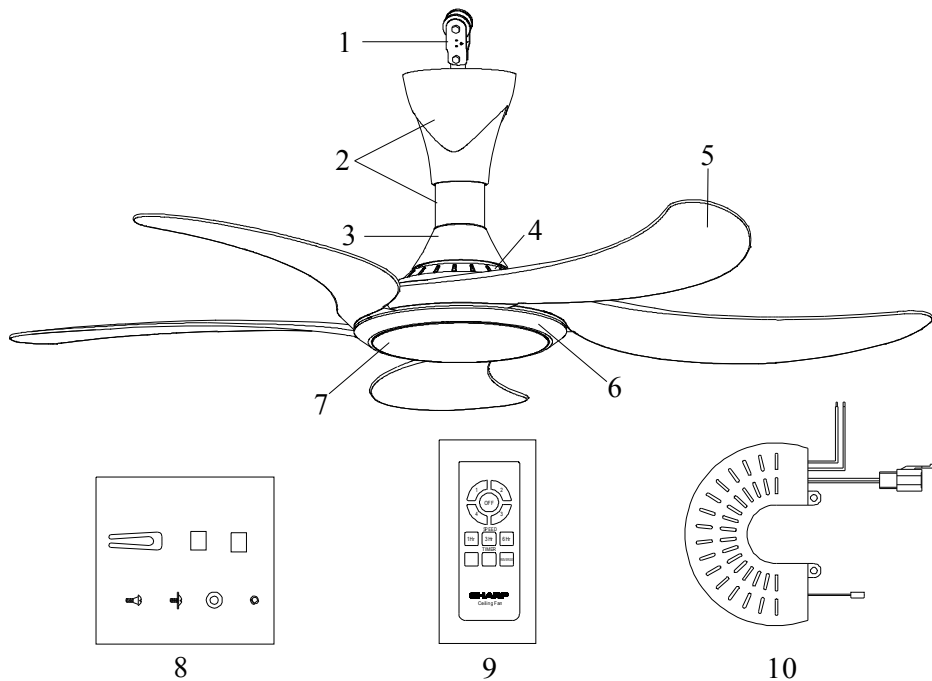
 Thank you for purchasing our product.
Before operating this set, please read these instructions completely.

 Use only with rated voltage 240VAC / 50Hz

 Switch off power supply and wait until the blade is fully static, before cleaning or doing any maintenance jobs.

 The appliance is not intended for use by persons (including children) with reduced physical, sensory or mental capabilities, or lack of experience and knowledge, unless they have been given supervision or instruction.
Children should be supervised to ensure that they do not play with the appliance.

Supplied Parts



Parts		QTY
1	Downrod Assembly	1 Set
2	Upper Canopy	1 Set
3	Lower Canopy(Switch Box)	1 Set
4	Upper Housing	1 Set
5	Blade	3 pcs
6	Motor Assembly	1 Set
7	Lower Housing	1 Set
8	Screw Pack	1 Set
9	Remote Control	1 Set
10	Receiver(For model: PJCD195W & PJCD196WD)	1 Set

Maintenance

Due to fan natural movement, connections may get loose after a period of usage. To Ensure a proper and safety usage, is highly recommended to inspect and tighten all connections every 6 months.

CLEANING

Clean your fan periodically to prolong its new appearance. Basic cleaning procedures are as follows:

1. Use only lukewarm water, Do Not use detergent, corrosive or acidic solution.
2. Damp the cloth lightly . Use only soft or lint-free cloth to clean the fan. Rough fabric will scratch the surface.
3. Apply a thin coat of furniture polish to the wooden blades will protect and enhance the appearance.
4. To cover small scratches, apply a light coat of shoe polish over it
5. There is no need to oil the fan.

Troubleshooting

Check on the following before lodging a service report

PROBLEM	CAUSE	SOLUTION
Fan not moving	1. Main cables not connected	1. Check mains and branch circuit breakers or fuse
	2. Wire connection loose	2. Check the line wires connections to the fan and switch housing
Fan noisy	1. Housing screws are loose	1. Tighten all screws
	2. Wire and nut connections rattles against each other	2. Separate and store neatly the wire connections from the nut
	3. Canopy touches the ceiling	3. Check that the canopy is not touching or too close to the ceiling
Remote Control not working	1. Remote and receiver code different	1. Check that the codes are exactly the same
	2. Battery not installed	2. Install the remote control battery
	3. Weak battery	3. Change a new battery

How To Use Remote control

SPEED BUTTON

Turn on at 1-2-3-4 speed

* Power on at speed 2(Default setting)

TIMER BUTTON

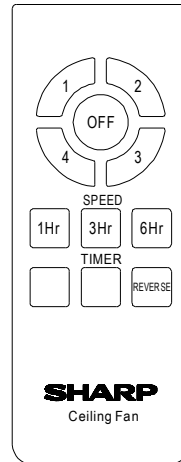
Set up the time 1 Hr- 3 Hr-6 Hr

REVERSE BUTTON

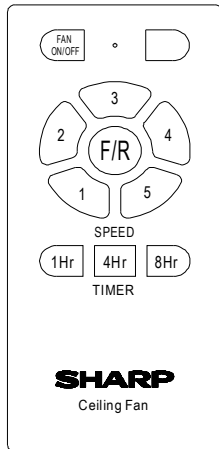
Ceiling fan at reverse speed

OFF BUTTON

Turn OFF ceiling fan



Model: PJC185W & PJC186WD



F/R BUTTON

Set up ceiling fan to forward or reverse

TIMER BUTTON

Set up the time 1 Hr, 4 Hr, 8 Hr

FAN OFF BUTTON

Turn OFF ceiling fan

SPEED BUTTON

Turn on at 1-2-3-4-5 speed

*The fan will resume operation at the last speed setting before power off

Model: PJCD195W & PJCD196WD

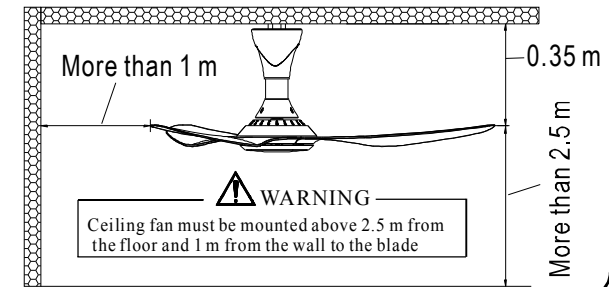
STEP FOR LEARNING CODE :

Leaning code matching mode is used between emitter and receiver. Turn "ON" the supply power within 30 seconds and press the emitter's "FAN ON/OFF" button for 5 seconds, it can load normally after hearing a long sound "bee", which means learning successfully and it can work normally. (PS: Learning mode is not accepted after turn "ON" the supply power for 30 seconds.)

How to Install the fan

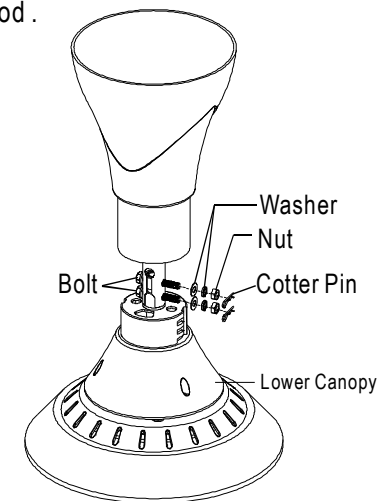
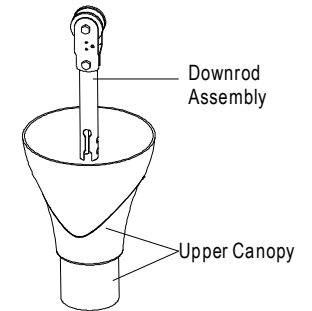
The following steps will guide you to a successful installation

1. Downrod installation
2. Fan body installation
3. Safety cable installation
4. Connecting the power supply
5. Canopy installation
6. Blade installation
7. Lower housing installation



Install Downrod

1. Insert the downrod assembly to upper and lower canopy
2. Insert the downrod assembly to coupler.
3. Insert the bolt across the down rod and rod base.
4. Fix and firmly tighten the Washer, Nut and slot the Cotter Pin
5. Tighten the Set Screw of the downrod base to the downrod .
6. Put the Lower Canopy down through the downrod.



WARNING

Cotter Pin must insert into Bolt and Bent.

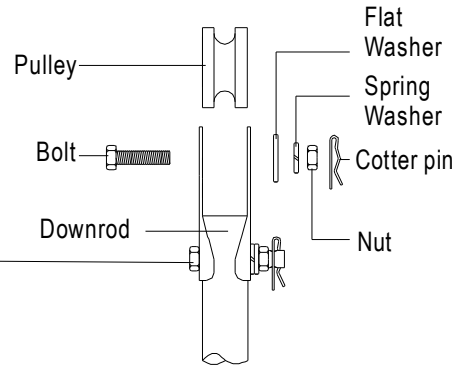
Install Fan Assembly

1. Remove the supplied Bolt, Wash, Nut, Pulley and Cotter Pin from the top portion of Downrod.



WARNING

This Bolt must be firmly tightened.

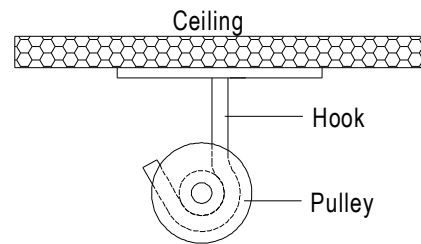


2. Place the pulley to the Hook.



WARNING

Ensure Hook can afford more than 10 times the ceiling fan weight

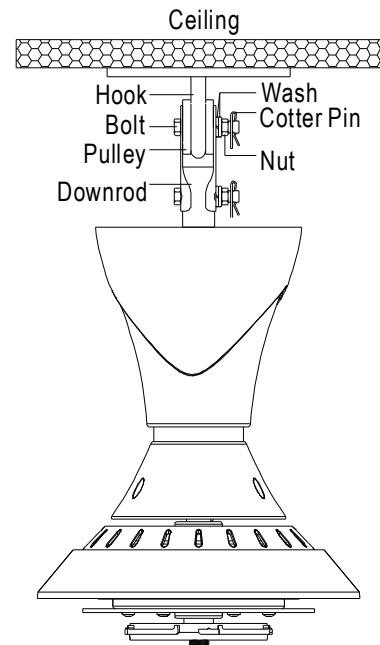


3. Fix and firmly tighten the previous Bolt, Washer, Nut and Cotter Pin.



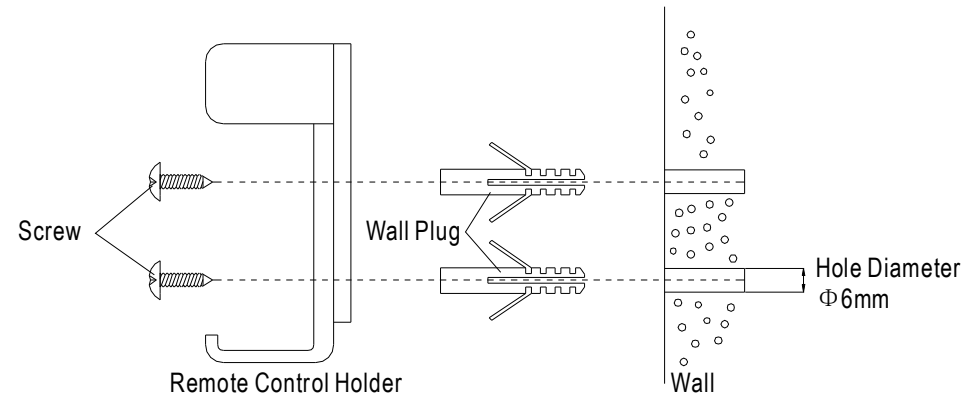
WARNING

Cotter Pin must insert into Bolt and Bent.

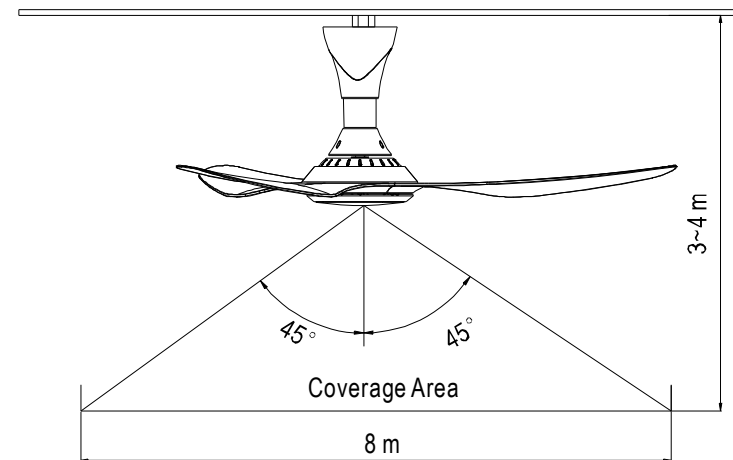


How To Install Remote Control Holder

Fix the Remote Control Holder to wall as figure below.
The Wall Plugs are not needed for wooden walls.



Remote Control Coverage



The figure shows the best coverage area. The ideal ceiling height is 3~4m. The Remote Control must be pointed to the direction of the fan when in use.

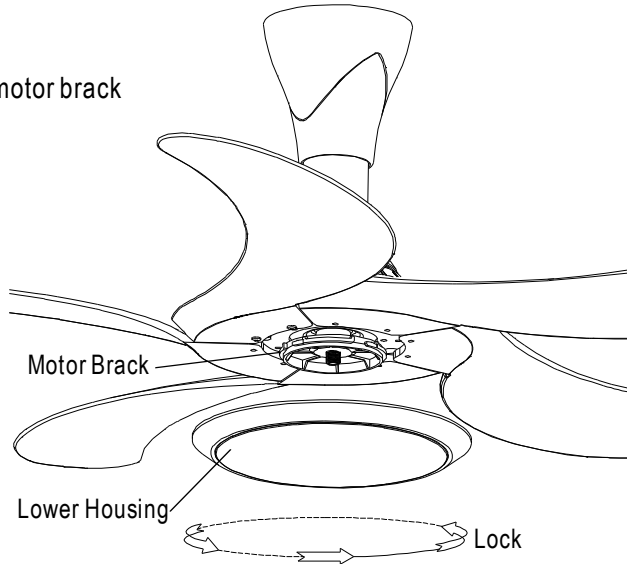
Install Lower Housing

Lock the lower housing firmly the motor brack



WARNING

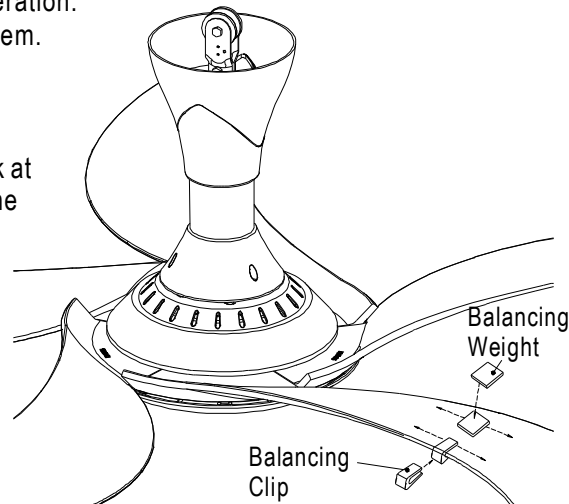
CAUTION:
Be sure the lower housing is firmly lock in position!



How To Use The Balancing Kit

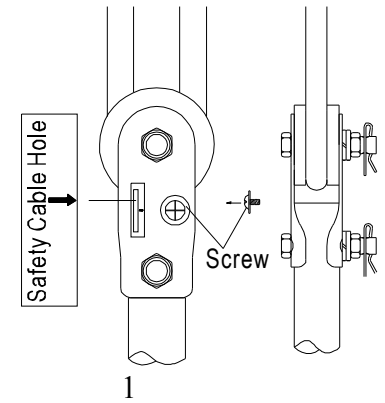
If the fan encounter wobbling during operation. Do the following steps to solve the problem.

1. Tighten all screws.
2. Unscrew the blades and fix them back at different combination of position on the motor.
3. Measure the level between the ceiling and all blades.
4. Use the blade Balancing Kit provided if the fan still wobbles.

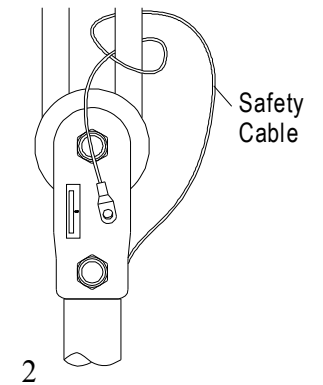


Install Safety Cable

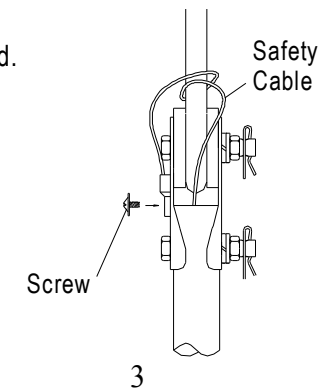
1. Remove the Safety Cable Screw from the downrod.



2. Arrange and tie the Safety Cable as step 2.



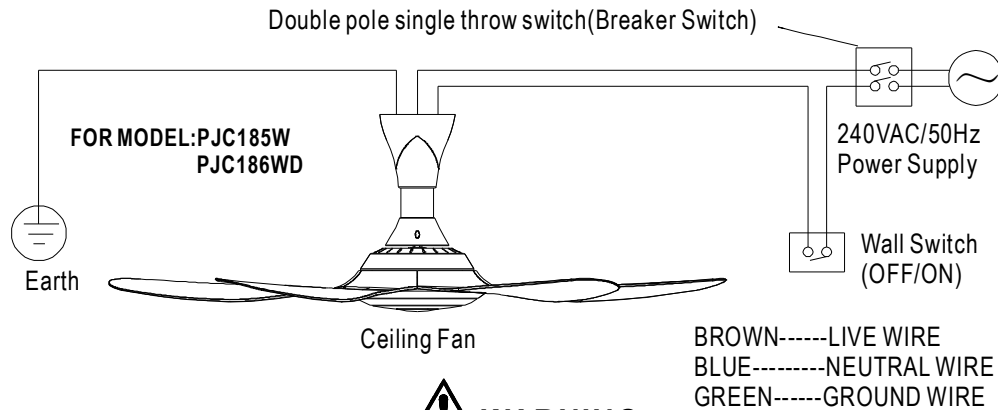
3. Firmly screw the Safety Cable onto the downrod.



WARNING
Safety Cable must fix correctly.
Can cause injury if ceiling fan drops.

Connecting The Power Supply(Model:PJC185W & PJC186WD)

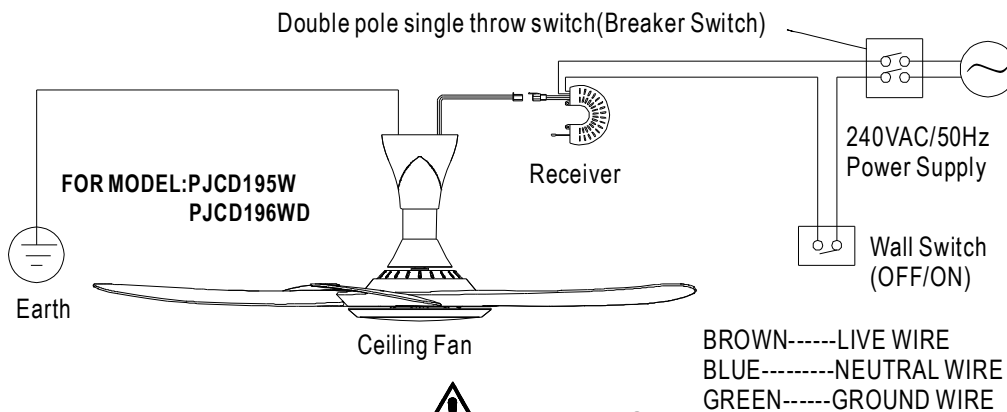
Only direct connection to wall allowed. Please refer to figure below.



WARNING
This product is not provided with cord and plug or with other means for disconnection from the supply. When connect or change the power cord lead wire, it must be performed by qualified personnel in order to avoid a hazard .please use wire thickness of cross section 1mm or above.

Connecting The Power Supply(Model:PJCD195W & PJCD196WD)

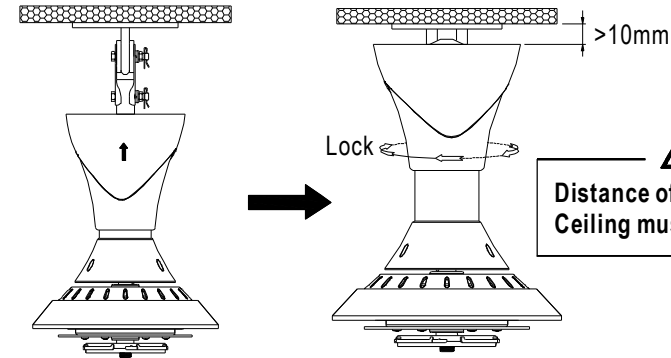
Only direct connection to wall allowed. Please refer to figure below.



WARNING
This product is not provided with cord and plug or with other means for disconnection from the supply. When connect or change the power cord lead wire, it must be performed by qualified personnel in order to avoid a hazard .please use wire thickness of cross section 1mm or above.

Install Canopy

Raise the upper canopy and turn clockwise to tighten the canopy to fan body.
Be sure the upper canopy is 10mm from the ceiling.



WARNING
Distance of upper canopy from the Ceiling must be more than 10 mm.

Install Blades

1. Tighten the Blades with Screws provided.
Each Blade uses 2 pieces of Screw .

2. Ensure the Screws (10 PCS) for securing
The blades are tightly screwed.

