

SHARP

MODEL :

EKJ-103-WH

KETTLE

INSTRUCTION MANUAL



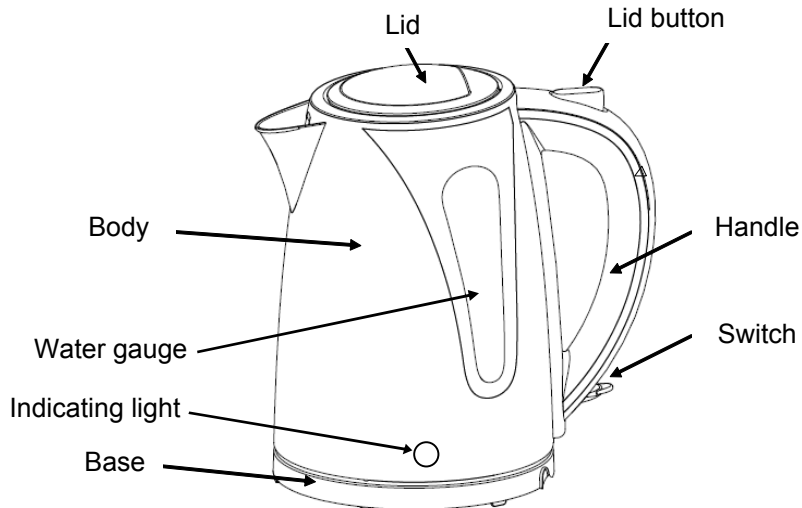
Please read these instruction carefully before operating the appliance.

IMPORTANT SAFEGUARDS

1. Read all instructions before use and save for future reference.
2. Before using the kettle for the first time, remove and safely discard all packaging material and promotional labels.
3. The kettle is for household use only. Do not use outdoors.
4. Before connecting the kettle to the power supply, check that the voltage indicated on the appliance (underneath the kettle & base) corresponds with the voltage in your home. If this is not the case, contact your dealer and do not use the kettle.
5. This appliance has been incorporated with a grounded plug. Please ensure the wall outlet in your house is well earthed.
6. Do not let the cord hang over the edge of a table or counter or touch a hot surface.
7. Do not place on or near a hot gas or electric burner or in a heated oven.
8. Do not operate the appliance without anything in it to avoid damaging the heat elements.
9. Ensure that the kettle is used on a firm and flat surface out of reach of children; this will prevent the kettle from overturning and prevent damage or injury. Do not move the kettle whilst in operation.
10. To protect against a fire, electric shock or personal injury, never immerse the kettle, power cord or power base in water. Do not allow any moisture to come into contact with these parts.
11. Do not use any substance other than water in the kettle.
12. While water is boiling, or just after the water has been boiled, avoid contact with steam from the spout. Do not open the lid whilst the water is boiling. Scalding may occur if the lid is removed during the brewing cycles.
13. Always take care when pouring boiling water and avoid tipping the kettle too fast.

14. Be careful of refilling the kettle when the kettle is hot. Do not overfill kettle as boiling water may spill out.
15. This appliance is not intended for use by persons (including children) with reduced physical, sensory or mental capabilities, or lack of experience and knowledge, unless they have been given supervision or instruction concerning use of the appliances by a person responsible for their safety.
16. Children should be supervised to ensure that they do not play with the appliance.
17. Do not touch the hot surface. Use the handle or the button.
18. The kettle can only be used with the power base provided. The kettle or the attached base can not be used for anything other than its intended use.
19. The use of accessories, which are not recommended by the appliance manufacturer, may result in fire, electric shock or personal injury.
20. Extreme caution must be used when moving any appliance containing hot water.
21. Unplug the kettle from the outlet when not in use and before cleaning. Allow the kettle to cool before putting on or taking off parts, and before cleaning the appliance.
22. To disconnect, turn any control to "off," then remove plug from wall outlet.
23. If the supply cord is damaged, it must be replaced by the manufacturer or its service agent or a similarly qualified person in order to avoid a hazard.
24. Do not operate the kettle on an inclined plane. Do not operate the kettle unless the element is fully immersed. Do not move the kettle, whilst it is switched on.

PRODUCT DESCRIPTION



Model name	EKJ-103-WH
Power supply	220-240V
Power	1000-1200W
Capacity	1.0L
Product dimension (L X W X H)	203mmX145mmX173mm

BEFORE USING YOUR KETTLE

If you are using the kettle for the first time, it is recommended that you should clean your kettle before use by boiling a full kettle of water twice and then discarding the water. Wipe the surface with a damp cloth.

NOTE: The max capacity of kettle is 1.0L.

OPERATION OF YOUR KETTLE

1. To fill the kettle, remove it from the power base and open the lid by pressing the open lid button backwards and lifting it. Fill with the desired amount of water and then close the lid. Alternatively, the kettle may be filled through the spout. The water level should not exceed the MAX mark or sit below the MIN mark. Too little water will result in the kettle switching off before the water has boiled.

NOTE:

- i. Do not fill the water over the maximum level, as water may spill out of the

spout when boiling. Ensure that the lid is firmly in place before plugging into the power outlet.

- ii. After pressing the open lid button, the lid will spring to the stated angle first, then you can lift open the lid to the maximum opening position. This design uses less force and helps to reduce hot water dripping.
2. Position the kettle on the power base.
3. Connect the plug into a power outlet. Turn on the switch by pressing it, the indicator will light up. The kettle will start to boil the water and will switch off automatically once the water has boiled. You can shut off the power by turning off the switch at any moment during boiling water. If you want to boil water again, only turn on the switch directly to restart the kettle.

NOTE: Ensure that switch is free of obstructions and the lid is firmly closed, the kettle will not turn off if the switch is constrained or if the lid is open.

4. Lift the kettle, using the handle from the power base and then pour the water.

NOTE: Always take care when pouring boiling water and avoid tipping the kettle too fast.

5. The kettle will not re-boil until the switch is pressed again. The kettle may be stored on the power base when not in use.

NOTE: Always disconnect the power supply when not in use.

BOIL-DRY PROTECTION

Should you accidentally operate the kettle without water; the boil-dry protection will automatically switch off the power. If this occurs, allow the kettle to cool before filling with cold water before re-boiling.

CLEANING AND MAINTENANCE

Always disconnect the appliance from the power outlet before cleaning.

1. Never immerse the kettle, power cord or power base in water or allow moisture to come into contact with these parts.

2. Wipe the outside of the kettle with a damp cloth or a mild detergent. Do not use alkaline based cleaning products.
3. Remember to clean the mesh filter at intervals. For easier cleaning, disconnect from any power, then detach the filter by gently pulling it out. Replace the filter after cleaning.
4. When not use or for easy storage, the power cord may be wound under the bottom of kettle.

ENVIRONMENT FRIENDLY DISPOSAL



You can help protect the environment!
Please remember to respect the local regulations: hand in non-working electrical equipments to an appropriate waste disposal centre.



SHARP

SHARP CORPORATION